



Chest Surgery



1/2

BAILEY-BABY
Rib contractor

► 039-0101 | 14.0cm, 5 1/2"



1/2

BAILEY
Rib contractor for children

039-0102 | 16.0cm, 6 1/4"



1/2

BAILEY-GIBBON
Rib contractor for adult

► 039-0103 | 16.0cm, 6 1/4"



1/2

SEMB
Rib holding forceps
without Ratchet

039-0201 | 20.0cm, 8"



1/2

SEMB
Rib holding forceps
with Ratchet

039-0202 | 20.0cm, 8"



1/2

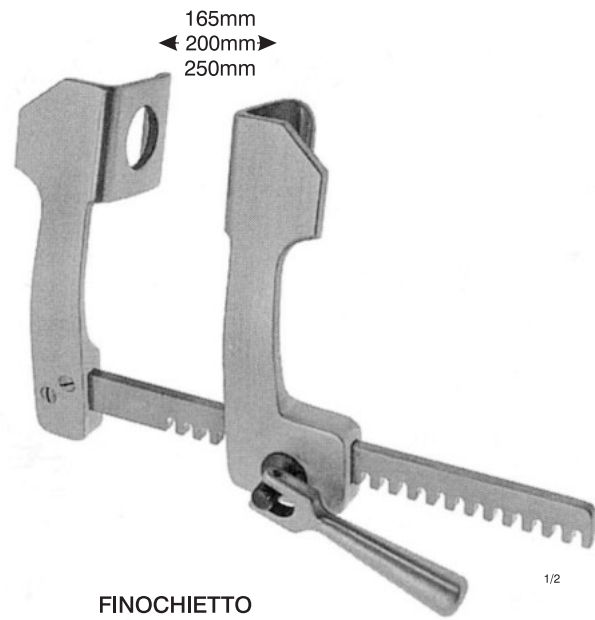
GIERTZ-STILLE
Rib shears

039-0300 | 27cm, 10 1/2"



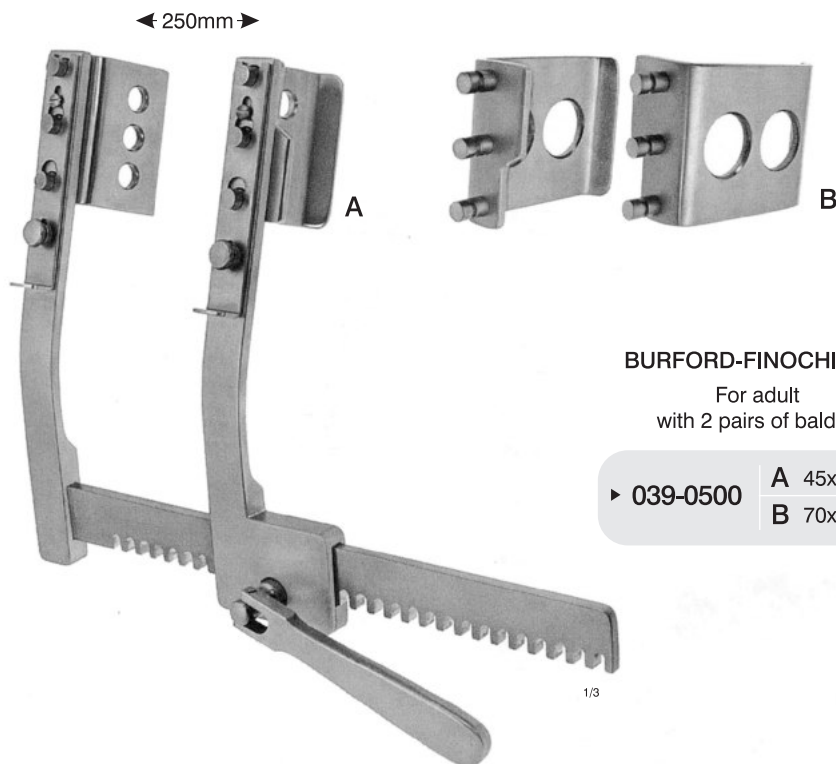
FINOCHIETTO-BABY

▶ 039-0401 | 18x20mm



FINOCHIETTO

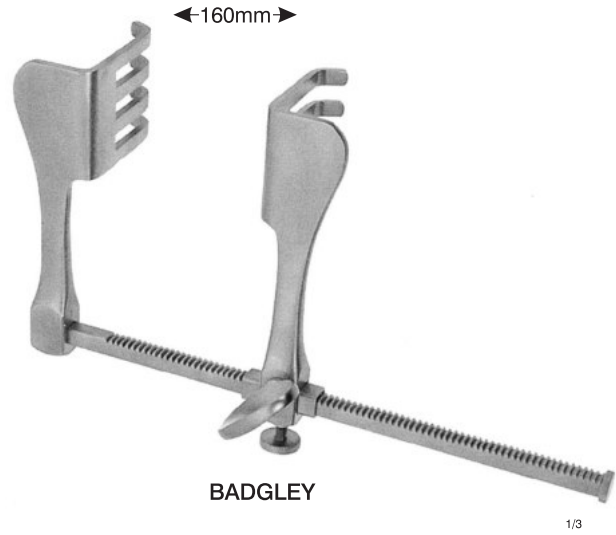
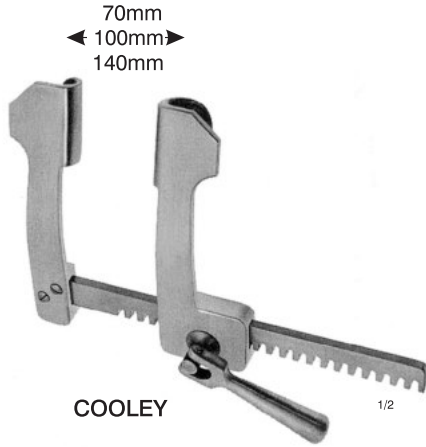
▶ 039-0402 | 40x45mm
▶ 039-0403 | 45x65mm
039-0404 | 70x65mm



BURFORD-FINOCHIETTO

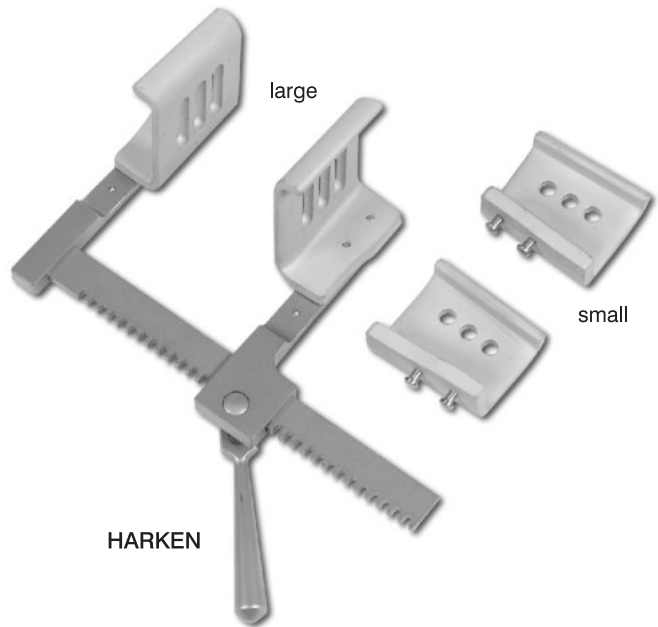
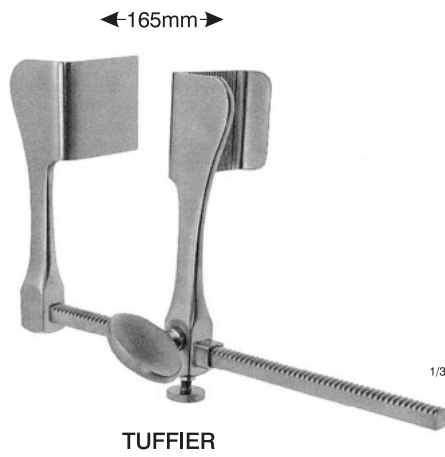
For adult
with 2 pairs of baldes

▶ 039-0500 | A 45x65mm
B 70x65mm



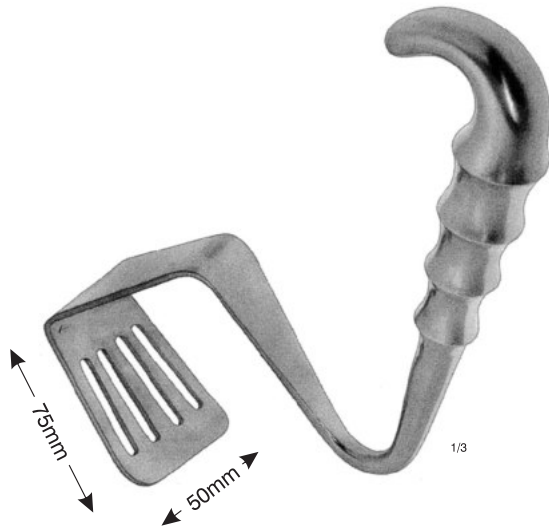
- ▶ 039-0601 | 13x16mm | For Babies
- ▶ 039-0602 | 13x20mm | For Children
- ▶ 039-0603 | 20x30mm | For Adults

- ▶ 039-0700 | 52x44mm



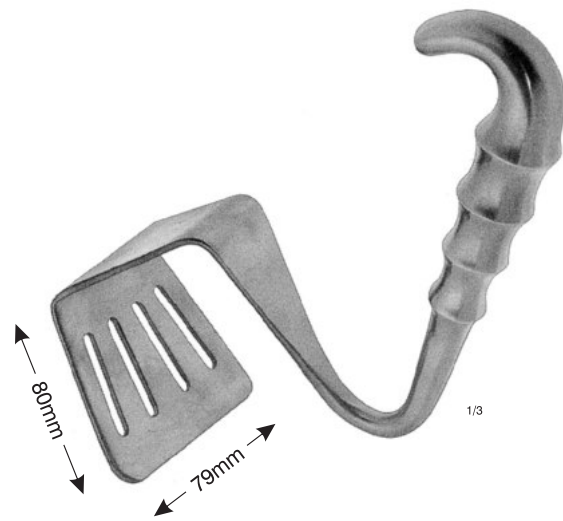
- ▶ 039-0800 | 50x45mm

- ▶ 039-0900 | Set
- ▶ 039-0901 | Body Only
- ▶ 039-0910 | Blade Large
- ▶ 039-0920 | Blade Small



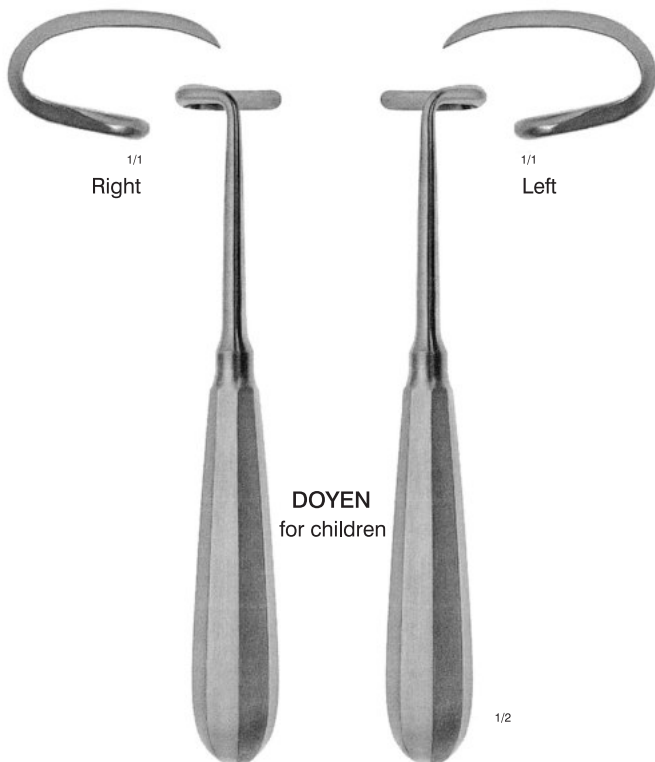
DAVIDSON
Scapula Retractor

039-1001 | 16.0cm, 6 1/4"



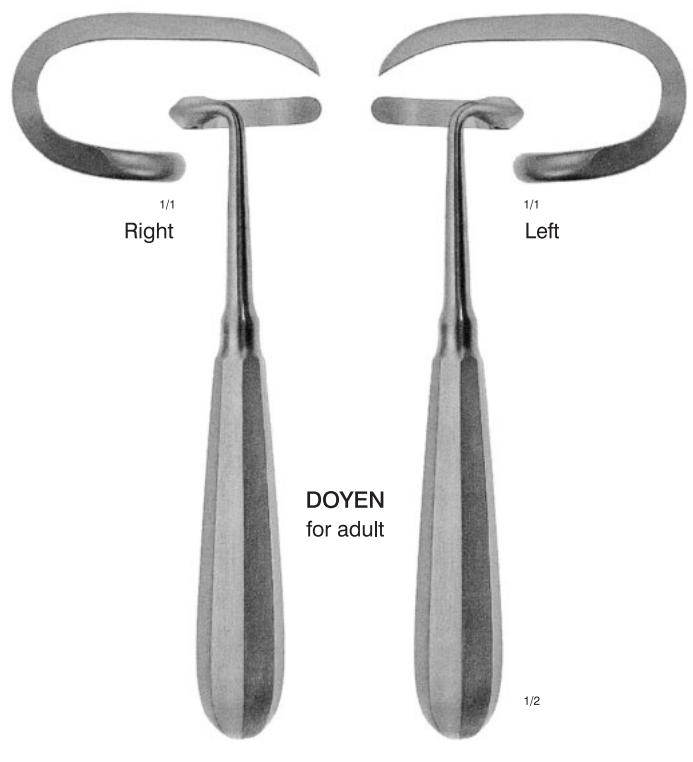
DAVIDSON
Scapula Retractor

039-1002 | 16.0cm, 6 1/4"



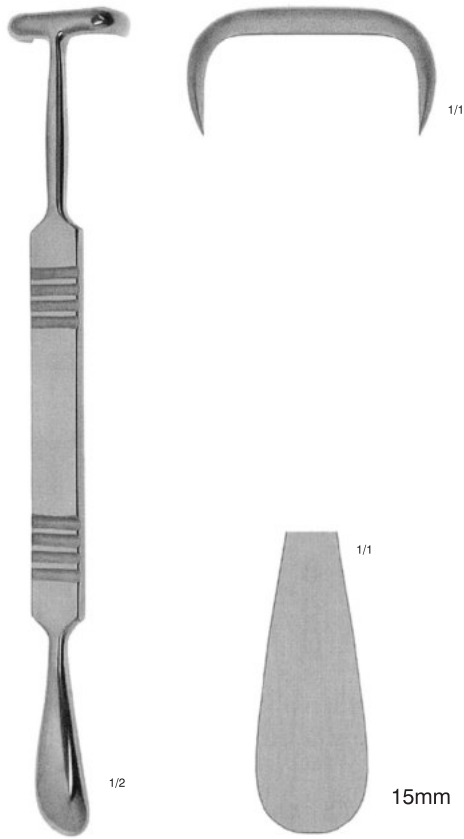
DOYEN
for children

▶ 039-1101 | 17.0cm, 6 3/4"
▶ 039-1102 | 17.0cm, 6 3/4"



DOYEN
for adult

039-1103 | 17.0cm, 6 3/4"
039-1104 | 17.0cm, 6 3/4"



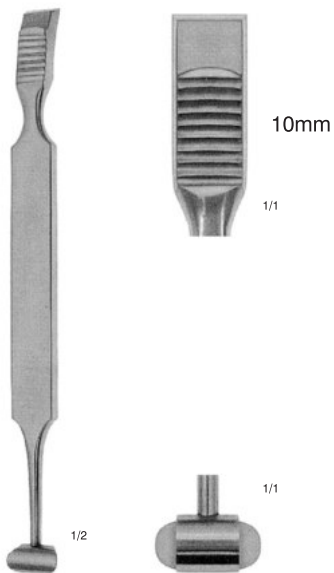
MATSON

▶ 039-1200 22.0cm, 8 1/2"



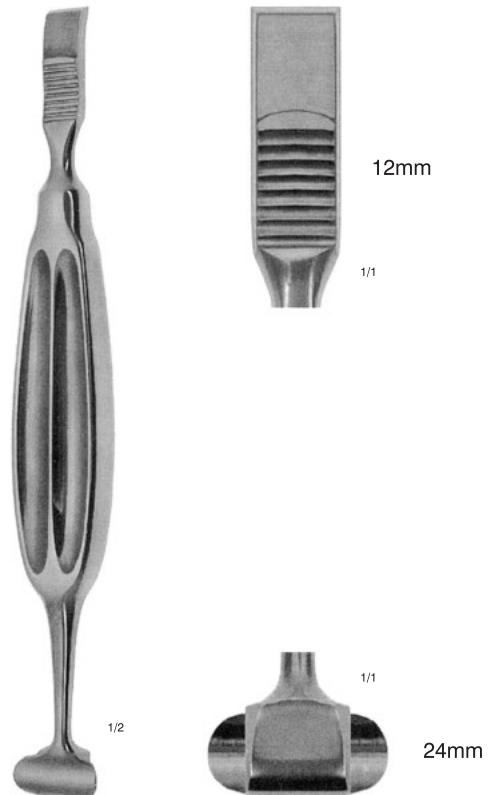
LAMBOTTE
21.0cm, 8 1/4"

039-1301	5mm
039-1302	10mm
039-1303	15mm
039-1304	20mm
039-1305	25mm



ALEXANDER-FARABEUF

039-1401 15.0cm, 6"



ALEXANDER-FARABEUF

039-1402 20.0cm, 8"



039-1501	19.5cm, 7 3/4"	Fig.1
039-1502	22.5cm, 8 3/4"	Fig.2
039-1503	22.5cm, 8 3/4"	Fig.3
039-1504	22.5cm, 8 3/4"	Fig.4
039-1505	22.5cm, 8 3/4"	Fig.5